



Praetorian Guard

4G-IP Video Intercom



4G Modem

New Praetorian APP

Praetorian Guard IP Intercom complete with 4G access point. The access point will provide an internet connection via a compatible SIM card*

- Speak to your visitors from anywhere in the world.
- Grant access remotely - Send a command to the gate motor via the app to open your gates etc.
- Keypad Codes – 24-7 / Timed / Temporary (Optional)
- No Touch Access - PROX Cards/ Tags - 24-7 / Timed / Temporary (Optional)
- Voicemail - Visitors can leave a video messages when unanswered.
- Multi-User - Add up to 8 maximum devices per Intercom ID. (incl ADMIN user. 4 maximum for optimal performance.)
- Wifi/LAN cable (Dualband WIFI. 2.4 & 5.8G wifi (802.11 b/g/n/a/c) can also be connected to a local Network.
- Coin Cell Battery to retain important system settings while a device is off. E.g. date-stamp.
- Volume of external speaker adjustable at the call-point.
- Vodafone SIM include for convenience. (UK/IRL markets only)

* MIN 1.5MB UPLOAD.

* MIN 1GB P/MIN DATA (Depending on usage).

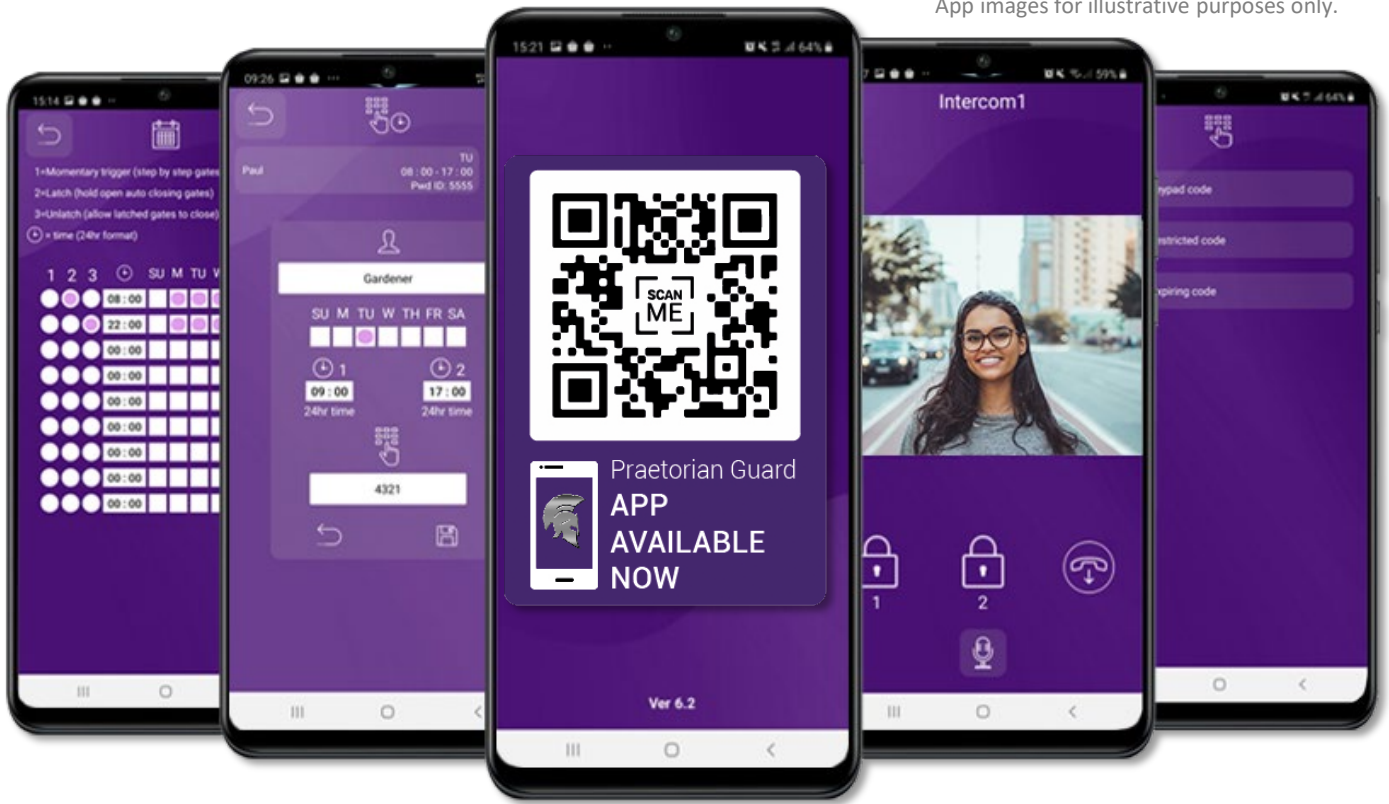




NEW APP

Installer / User App

App images for illustrative purposes only.



Events log for Keypad codes, Calls, Voicemails, Prox ID's. (past 100)



7-day schedule for auto relay opening.



Notifications - Motion Sensor is Triggered or Gates opened / closed via app, keypad or PROX.



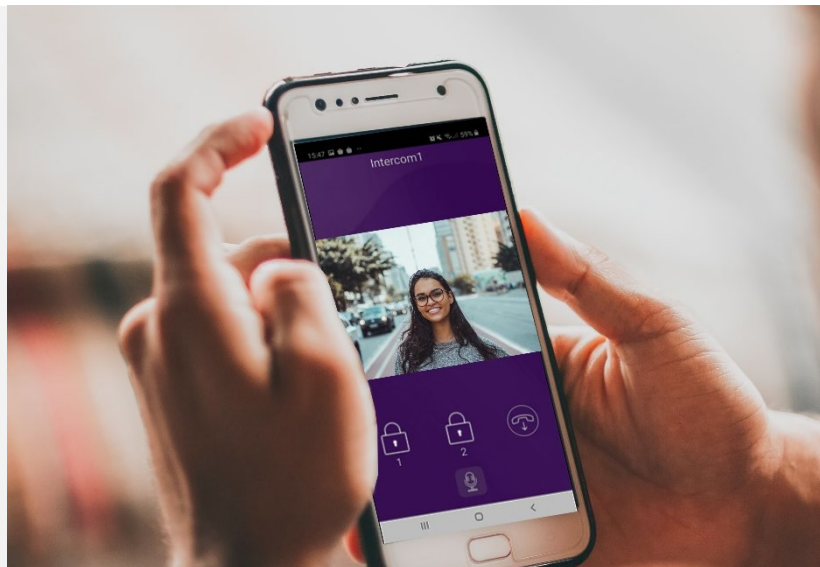
Sync device time to device.



Prox & Keypad codes added via App.



View your camera in full screen mode.







GENERAL

Front Panel	<p>Portrait Orientation AB/ABK = 3mm Acrylic on Architectural Design Marine Grade Stainless Steel BS316 Front Plate. AS/ASK = 3mm Marine Grade Stainless Steel BS316 on Architectural Design Marine Grade Stainless Steel BS316 Front Plate. FS/FSK = Flush Design Marine Grade Stainless Steel BS316 Front Plate. IMP/IMPk = 3mm Acrylic on Imperial Design Marine Grade Stainless Steel BS316 Front Plate. Modular = Powder Coated Marine Grade Stainless Steel BS316 Front Plates with 3mm Acrylic on Design Marine Grade, Stainless Steel BS316 Modular Plates. Landscape Orientation PED = Pedestal Surface Mount</p>
Hood Cover (MOD, IMP(K), PED versions)	Powder coated Aluminium
Mounting Housing (Backbox)	Marine Grade Stainless Steel BS316
Mounting Type	Surface-Mounted with backlighting, Flush-mounted version sold separately
Call Button	Stainless-steel button with illuminated LED Ring
Weatherproof	IP55
Approvals	CE, FCC
Dimensions	See Overview of Call Points
Operating Temp.	-25 to +55°C / -13 to 131°F
Power Supply	24V DC
Power Consumption	IP PCB w/Keypad & Prox Standby = 80mA Operating = 300mA
Solar Power	45Watt Solar Panel (minimum) 2x 12V 15AH Batteries connected in series to provide 24V output
Connectors	LAN (RJ45) 2 x Bistable latching relay, max. 1-28V DC/AC, 1A, e.g. for magnetic door lock External input for push to exit button 24V DC input (+, -)
System Requirements	Mobile device: Newest iOS on iPhone/iPad, newest Android on Smartphone/Tablet Internet: High-Speed Landline Broadband Internet connection, DSL, cable or fibre optic, no socks or proxy server. Min. suggested upload speed of 1.5mbps, Network: Ethernet Network, with DHCP / WIFI 2.4GHz/5.8GHz (with applicable antenna)
Recommended Installation Height	Camera lens should be at a min. height of 145 cm (57 in). Before the installation please determine your optimal installation height.
Warranty	See www.aesglobalonline.com/warranty

KEYPAD MODULE

Power Supply	24V DC
Steel Keypad Module	12 Square Silicon Keys Blue illumination Keypad Codes configurable via App, Slave connection to allow up to an additional 8 slave devices
Silicon Keypad Module	12 Round Silicon Keys Blue illumination Keypad Codes configurable via App, Slave connection to allow up to an additional 8 slave devices

THIRD-PARTY INTEGRATIONS

Partners	N/A - Coming Soon
API	N/A - Coming Soon

VIDEO

Camera	HD 720p, dynamic (VGA – HD)
Lens	120° (D), 109° (H), 65° (V) IR-capable
Display Resolution	Switchable in the app by the Admin user. HD resolution: 1280*720 SD resolution: 640*480
Video Codec	H264
Night-Vision	Yes, light sensor, automatic IR-cut filter, 5 Infrared LEDs
Storage	On-Board Micro SD Card (16GB included) Max read capacity 32GB Estimated capacity based on 16GB: 5,592 Video Clips (3MB) {AVI.} 33,500 images (0.5MB) {JPG} Supports Hot Swapping. Auto overwrites oldest data at 80% capacity FAT32 Formatting

MOTION SENSOR

Type	Active
Detection Type	Digital (Pixel-based) Changes of pixilation. This is processed by the CPU identifying any major/minor changes in pixels that is defined by a predetermined algorithm.
Range	>5m, depends on environment, distance is fixed

AUDIO

Audio Components	Speaker and microphone, noise reduction and echo cancellation (ANR, AEC)
Audio Streaming	Two-way, full duplex & half-duplex (switchable in-app)
Audio Codec	PCM/ARAW

NETWORK

WiFi	IEEE 802.11a/b/g/n/ac
WiFi Security	WPA / WPA2 / WPA3
Frequency Range	2.4GHz-2.4385GHz; 5.15GHz-5.845GHz
Ethernet	IEEE 802.3
Supported Protocols	HTTP, HTTPS, SSL/TLS, Bonjour, DNS, RTSP, RTP, TCP, UDP, RTCP, ICMP, DHCP, ARP

4G ROUTER

Power Supply	24V DC
Interface	Custom OpenWrt
Antenna Type	SMA
SIM Tray	NANO
LAN Ports	2 x 10/100 Mbps - LAN/WAN
Direct Cable Connection	8 Pin Spring Connector Terminal Block (Linked to 1 x LAN ports)
GSM Modem Models	4G Europe - SIM7600E 4G USA - SIM7600A 4G AUS/NZ - SIM7600SA
Frequency Range	LTE-TDD = B38/B40/B41 LTE-FDD = B1/B3/B5/B7/B8/B20 UMTS/HSPA+ = B1/B5/B8 GSM/GPRS/EDGE = 900/1800MHz
RF Output Power (EIRP)	32.55dBm (GSM 900), 29.73dBm (DCS 1800) 23.77dBm (WCDMA Band I), 23.78dBm (WCDMA Band VIII) 22.79dBm, 22.73dBm, 22.97dBm, 22.35dBm, 22.99dBm (LTE B1, B3, B7, B8, B20)



4G MODULAR Intercom

Network code for part number.

4GE (Europe)

4GA (USA)

4GAU (Australia & NZ)



PRAE-4XX-MOD

Modular 1x1 call panel and 4G router. Button with modern blue lighting.



PRAE-4XX-MOD-KP

1x2 Modular call panel with keypad and 4G router. Keypad/button with modern blue lighting.



PRAE-4XX-MOD-PX-KP

Modular 1x2 call panel with **keypad & prox** reader and 4G router. Keypad/button with modern blue lighting.



PRAE-4XX-MOD-PX

Modular 1x2 call panel with **prox** reader and 4G router. Button with modern blue lighting.



Built in 4G Module options

Network code for part number.

4GE (Europe)

4GA (USA)

4GAU (Australia & NZ)

Have the choice of a Module with 4G router built into the Modular Unit.

PRAE-4XX-MOD-ROUTER

Modular 1x2 call panel. With 4G router built in. Button with modern blue lighting.



4G Blank Module.



PRAE-4XX-MOD-KP-ROUTER

Modular 1x2 call panel, 4G router built in & keypad. Keypad/button with modern blue lighting.

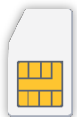


4G Blank Module.



PRAE-4XX-MOD-PX-KP-ROUTER

Modular 1x2 call panel. 4G router built in, keypad & prox reader. Keypad/button with modern blue lighting.



4G Blank Module.

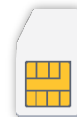


Prox reader & Keypad Module



PRAE-4XX-MOD-PX-ROUTER

Modular 1x2 call panel. 4G router built in & prox reader. Button with modern blue lighting.



4G Blank Module.



Prox reader Module





PRAE-4GE/IMP (Europe)
PRAE-4GA/IMP (USA)
PRAE-4GAU/IMP (Australia & NZ)



PRAE-4GE/IMPK (Europe)
PRAE-4GA/IMPK (USA)
PRAE-4GAU/IMPK (Australia & NZ)



Contemporary cool-white illuminated buttons. Marine grade, brushed stainless steel construction with gloss acrylic trim and powder coated aluminium hood. (Kit includes speech panel, 4G modem, power supply and install manual)
 Prox panel: PRAE-4G*/IMPK (*Network code)

PRAE-4GE/AB (Europe)
PRAE-4GA/AB (USA)
PRAE-4GAU/AB (Australia & NZ)



PRAE-4GE/ABK (Europe)
PRAE-4GA/ABK (USA)
PRAE-4GAU/ABK (Australia & NZ)



Modern blue back lighting effect. Marine grade, brushed stainless steel construction with gloss acrylic trim. (Kit includes speech panel, 4G modem, power supply and install manual)
 Prox panel: PRAE-4G*/ABK (*Network code)

PRAE-4GE/AS (Europe)
PRAE-4GA/AS (USA)
PRAE-4GAU/AS (Australia & NZ)



PRAE-4GE/ASK (Europe)
PRAE-4GA/ASK (USA)
PRAE-4GAU/ASK (Australia & NZ)



Architectural model with contemporary cool-white illuminated buttons. Marine grade, brushed stainless steel construction. (Kit includes speech panel, 4G modem, power supply and install manual)
 Prox panel: PRAE-4G*/ASK (*Network code)



PRAE-4GE/PED (Europe)
PRAE-4GA/PED (USA)
PRAE-4GAU/PED (Australia & NZ)



PRAE-4GE/PED-KP (Europe)
PRAE-4GA/PED-KP (USA)
PRAE-4GAU/PED-KP (Australia & NZ)



Pedestal mountable & modern blue illuminated buttons. Marine grade, brushed stainless steel construction with gloss acrylic trim and powder coated aluminium hood. Built in 4G router. (Kit includes speech panel, power supply and install manual)
 Prox panels: PRAE-4G*-PED-PX / PRAE-4G*-PED-KP (*Network code)

Flush Mount Options

PRAE-4GE/FS (Europe)
PRAE-4GA/FS(USA)
PRAE-4GAU/FS (Australia & NZ)



PRAE-4GE/FSK (Europe)
PRAE-4GA/FSK(USA)
PRAE-4GAU/FSK (Australia & NZ)



Flush Mount marine grade, brushed stainless steel construction. Contemporary cool-white illuminated buttons. (Kit includes speech panel, power supply and install manual)
 Prox panel: PRAE-4G*/FSK (*Network code)

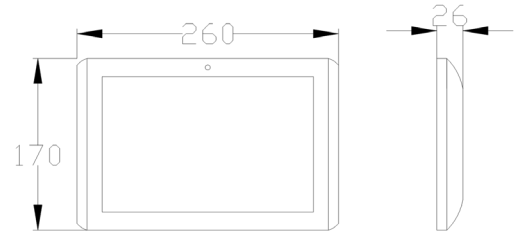
PRAE-4GE/FB (Europe)
PRAE-4GA/FB(USA)
PRAE-4GAU/FB (Australia & NZ)



PRAE-4GE/FBK (Europe)
PRAE-4GA/FBK(USA)
PRAE-4GAU/FBK (Australia & NZ)



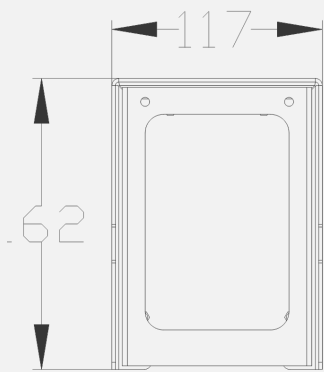
Flush mount marine grade, brushed stainless steel construction with gloss acrylic trim. Modern blue lighting. (Kit includes speech panel, power supply and install manual)
 Prox panel: PRAE-4G*/FBK (*Network code)



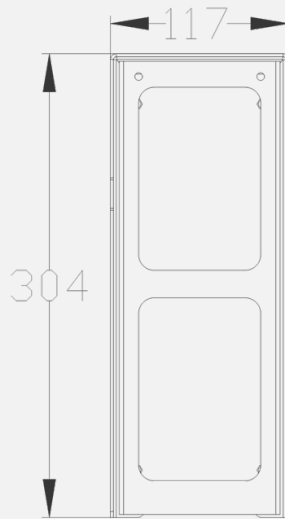
MON-11

- Wall mount touch screen monitor (1280x800 Resolution), compatible with the **Praetorian system**.
- 10.1 inch screen IPS LCD android screen.
- Wifi, Ethernet & Bluetooth connections.
- POE supplied (12V DC can be purchased separately)
- Complete with both wall mount bracket and desk stand.
- Android OS (8.1) with Praetorian app pre-loaded.
- RK3288, Quad-core cortex A17, 1.6G.

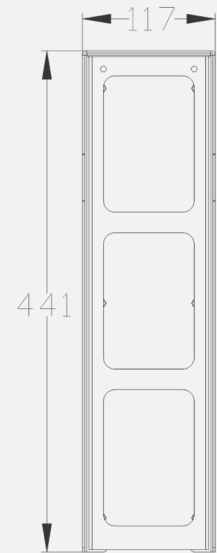
Call Panel Dimensions



MOD-1X1 (MODULAR)

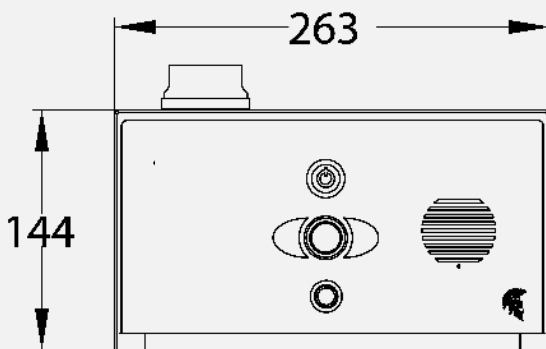


MOD-1X2 (MODULAR)

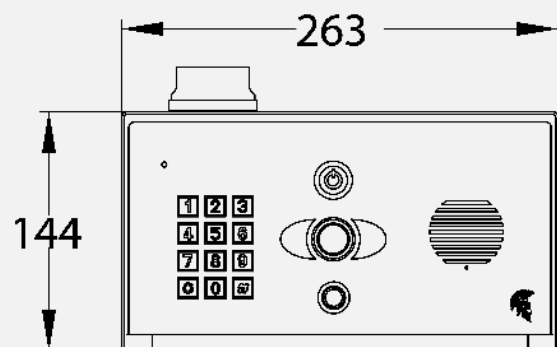


MOD-1X3 (MODULAR)

PRAE-PED



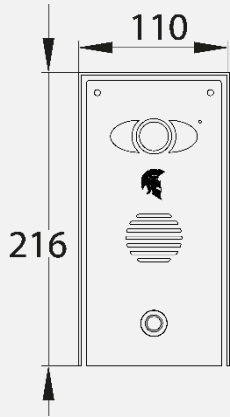
PRAE-PED-KP



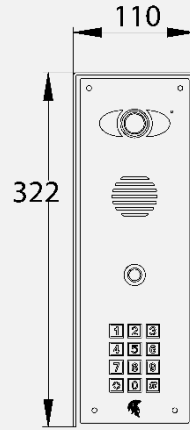


Call Panel Dimensions

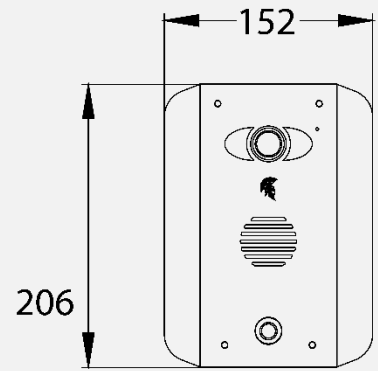
PRAE-IMP Call Panel



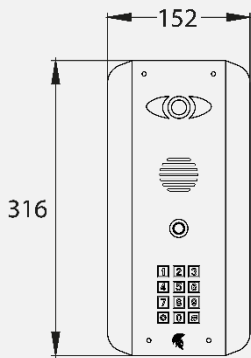
PRAE-IMPK Call Panel



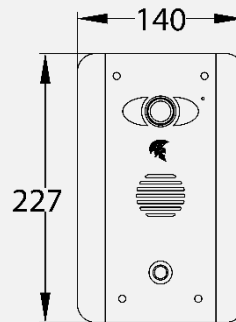
PRAE-AB & AS Call Panel



PRAE-ABK & ASK Call Panel



PRAE-FB & FS Call Panel



PRAE-FBK & FSK Call Panel

