

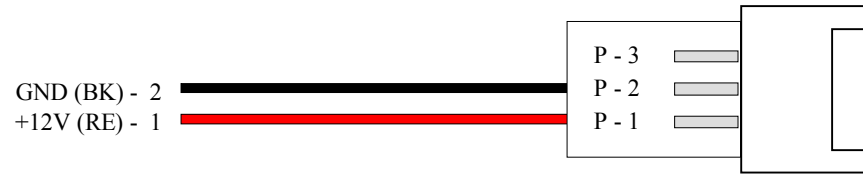
# ***Installation Guide for AC-2100 V3.5***

## ***Fingerprint Identification Terminal***

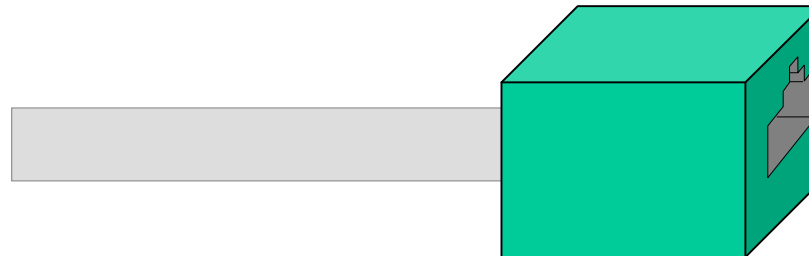


***JUL., 10. 2014***  
***R&D Center***  
***Union Community Co., Ltd.***

# 1. The Description of External Cables



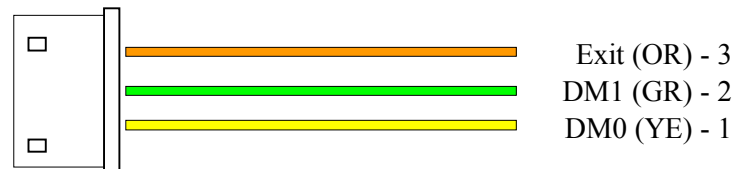
Power Adapter Cable



10Base-T Ethernet Cable (RJ45)

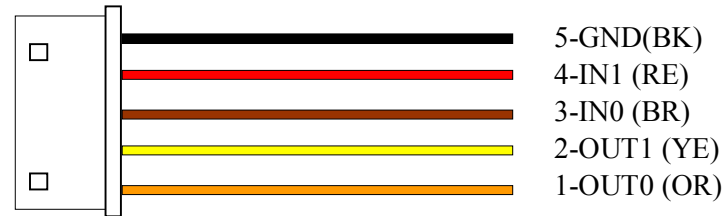


Lock Cable (4P)

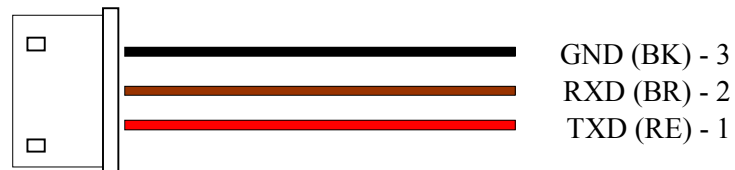


Lock Monitor & Exit Cable (3P)

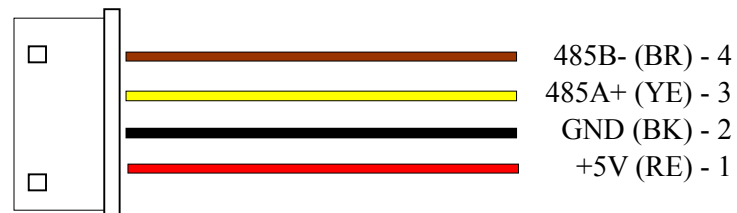
# 1. The Description of External Cables(Continued)



**Wiegand Cable (5P)**

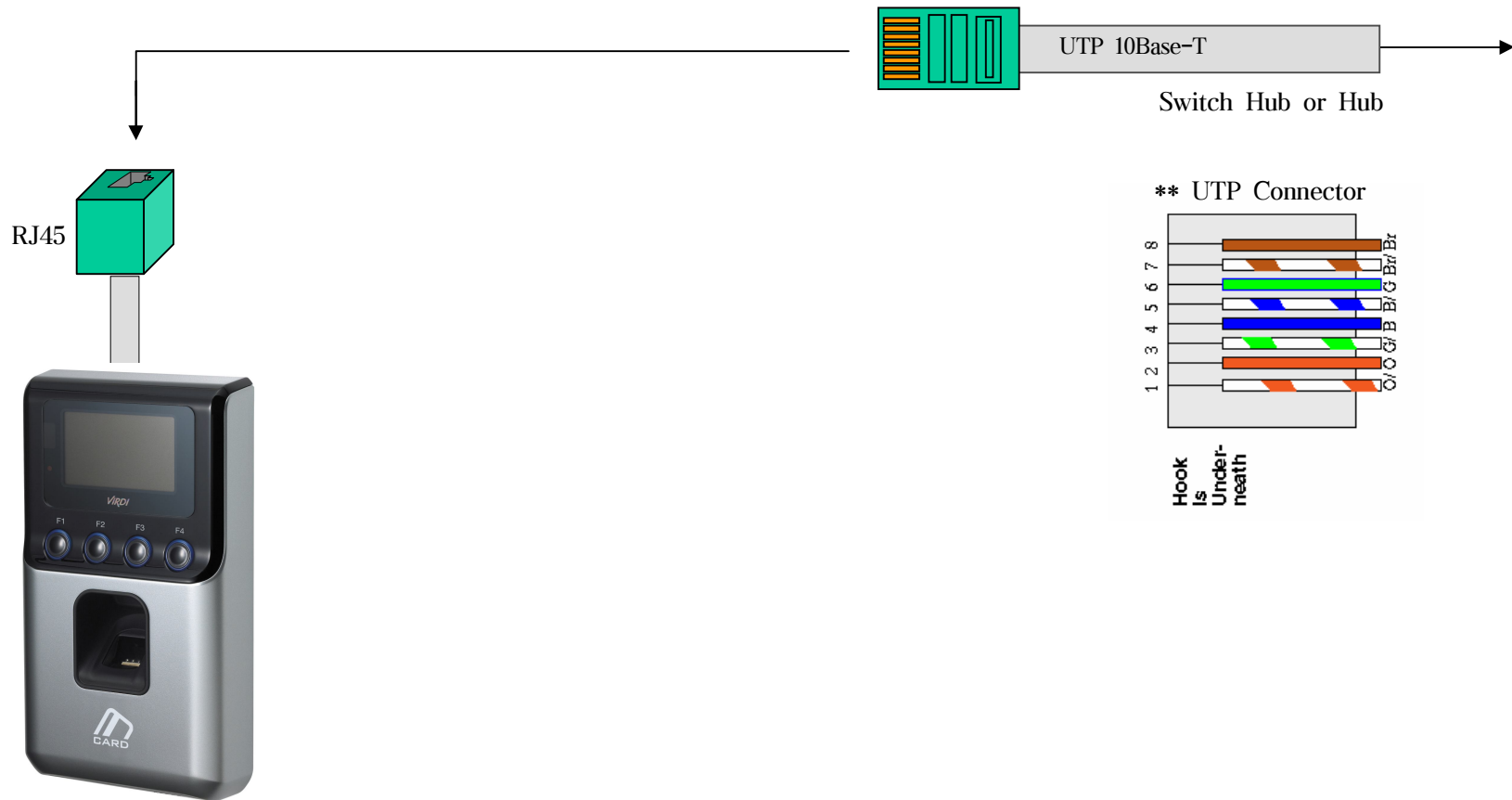


**RS232 Cable (3P)**



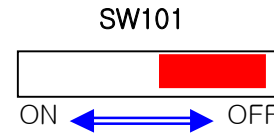
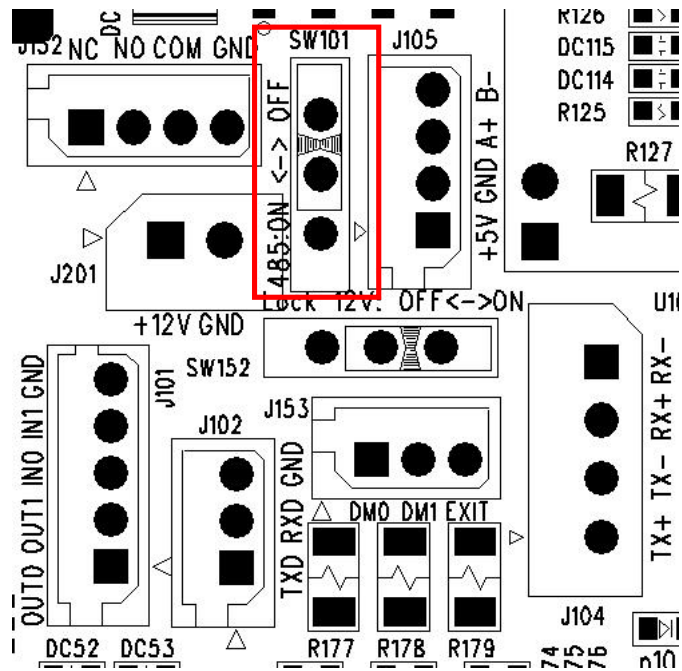
**RS485 Cable (4P)**

## 2. Connecting Ethernet (LAN) Cable





### 3. Setting the Resistor of RS485 Ended Termination

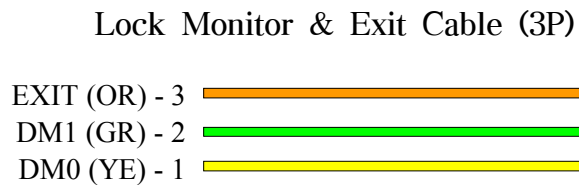
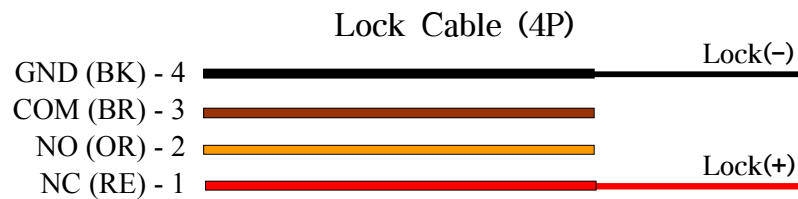
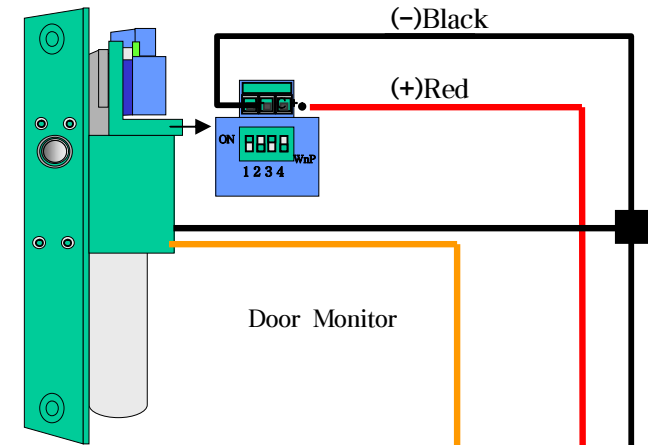
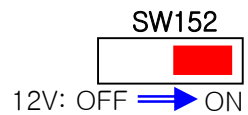


- \* Default Setting is off.
- \* ON: 120 Ohm Resistor is connected between 485A and 485B

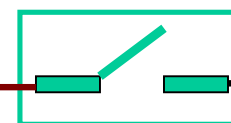
# 4. Connecting Dead-Bolt Type Door Lock (Fail Safe)

## 4.1. Connect with One System/ One Lock

Lock Type Select S/W

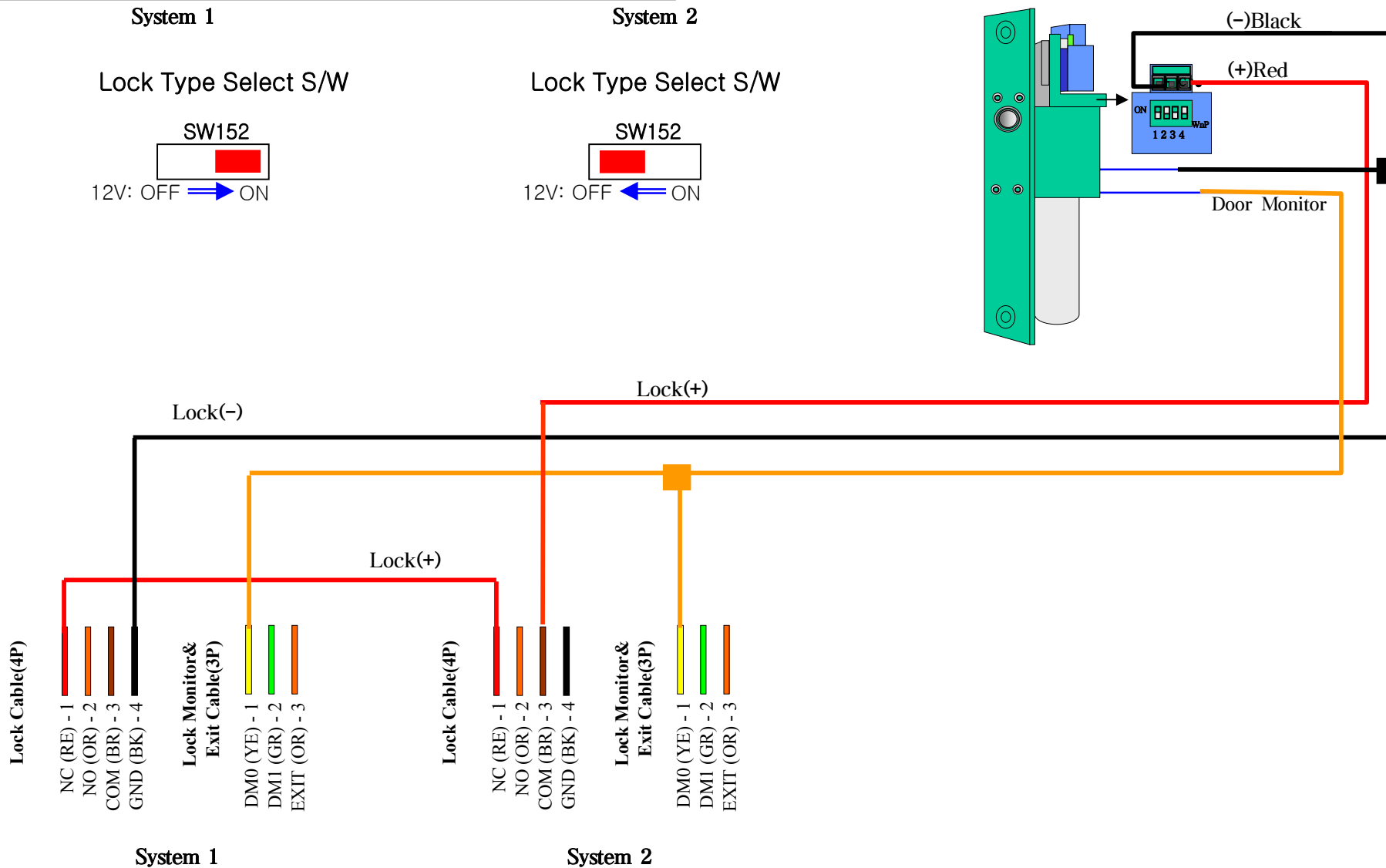


Inside Door Open S/W



# 4. Connecting Dead-Bolt Type Door Lock (Fail Safe)

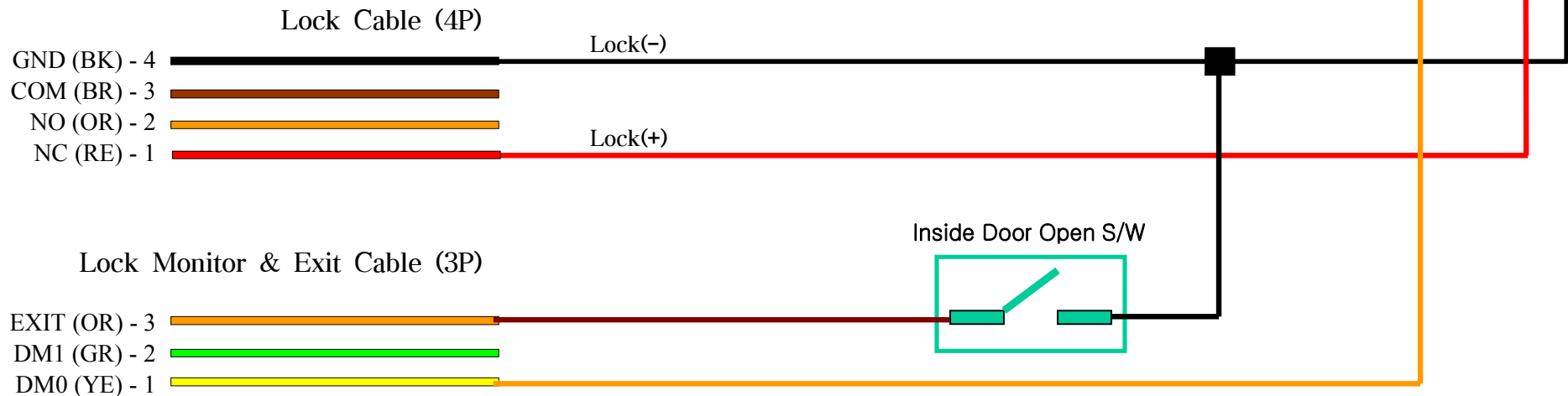
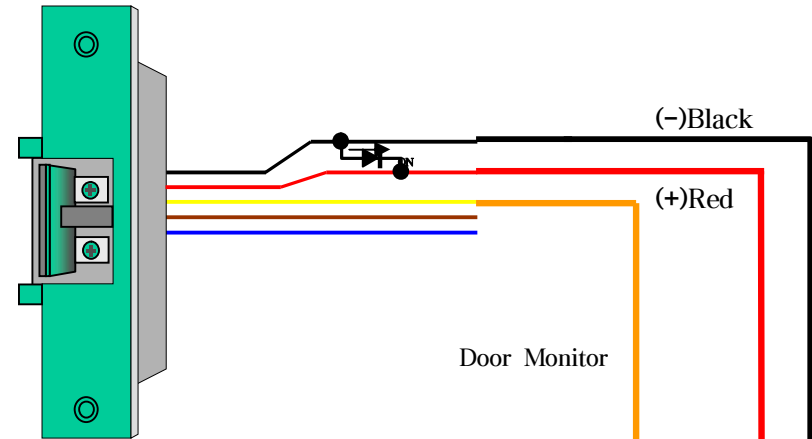
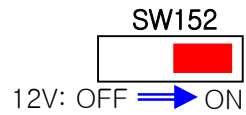
## 4.2. Connect with Two Systems/ One Lock



# 5. Connecting Strike Type Door Lock (Fail Safe)

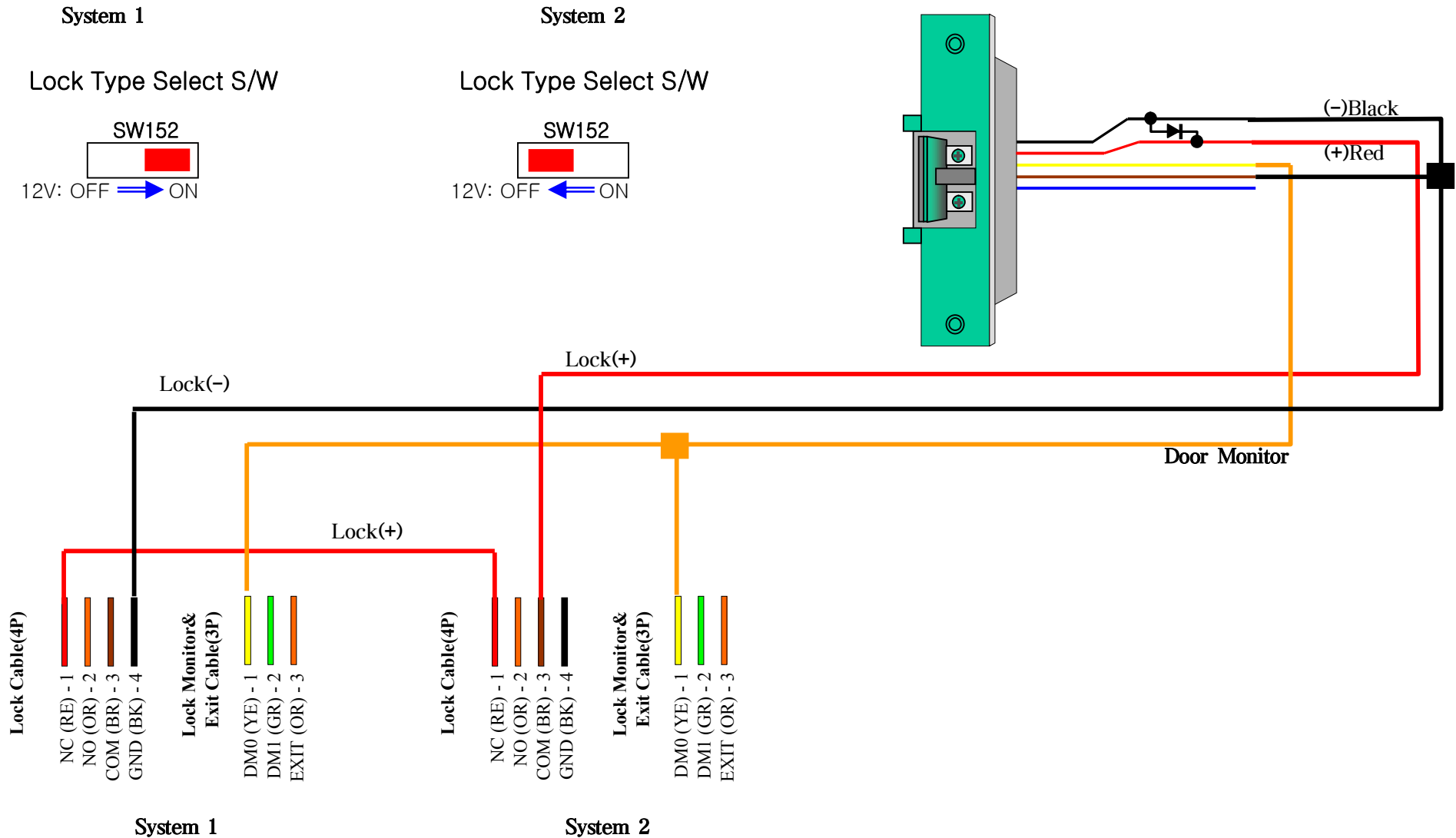
## 5.1. Connect with One system/ One Lock

Lock Type Select S/W



# 5. Connecting Strike Type Door Lock (Fail Safe)

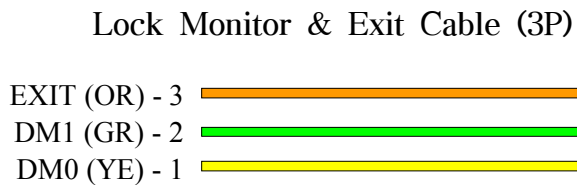
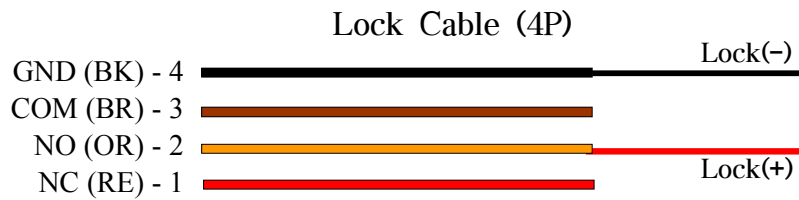
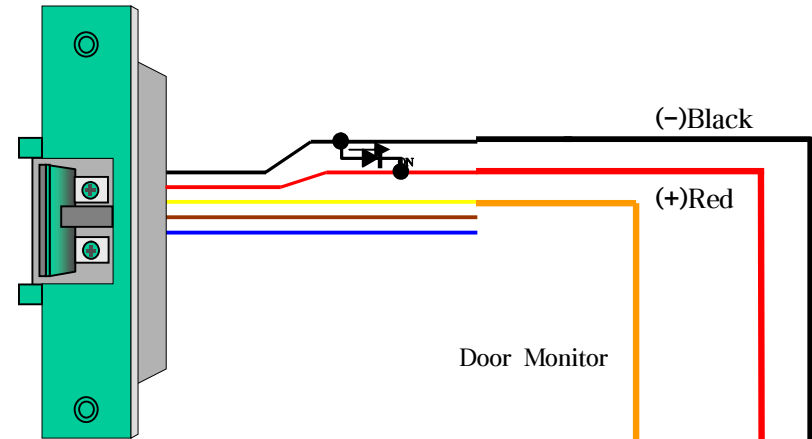
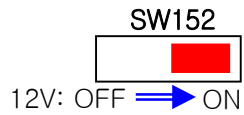
## 5.2. Connect with Two systems/ One Lock



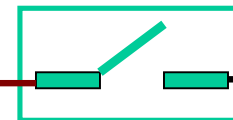
# 6. Connecting Strike Type Door Lock (Fail Secure)

## 6.1. Connect with One system/ One Lock

Lock Type Select S/W

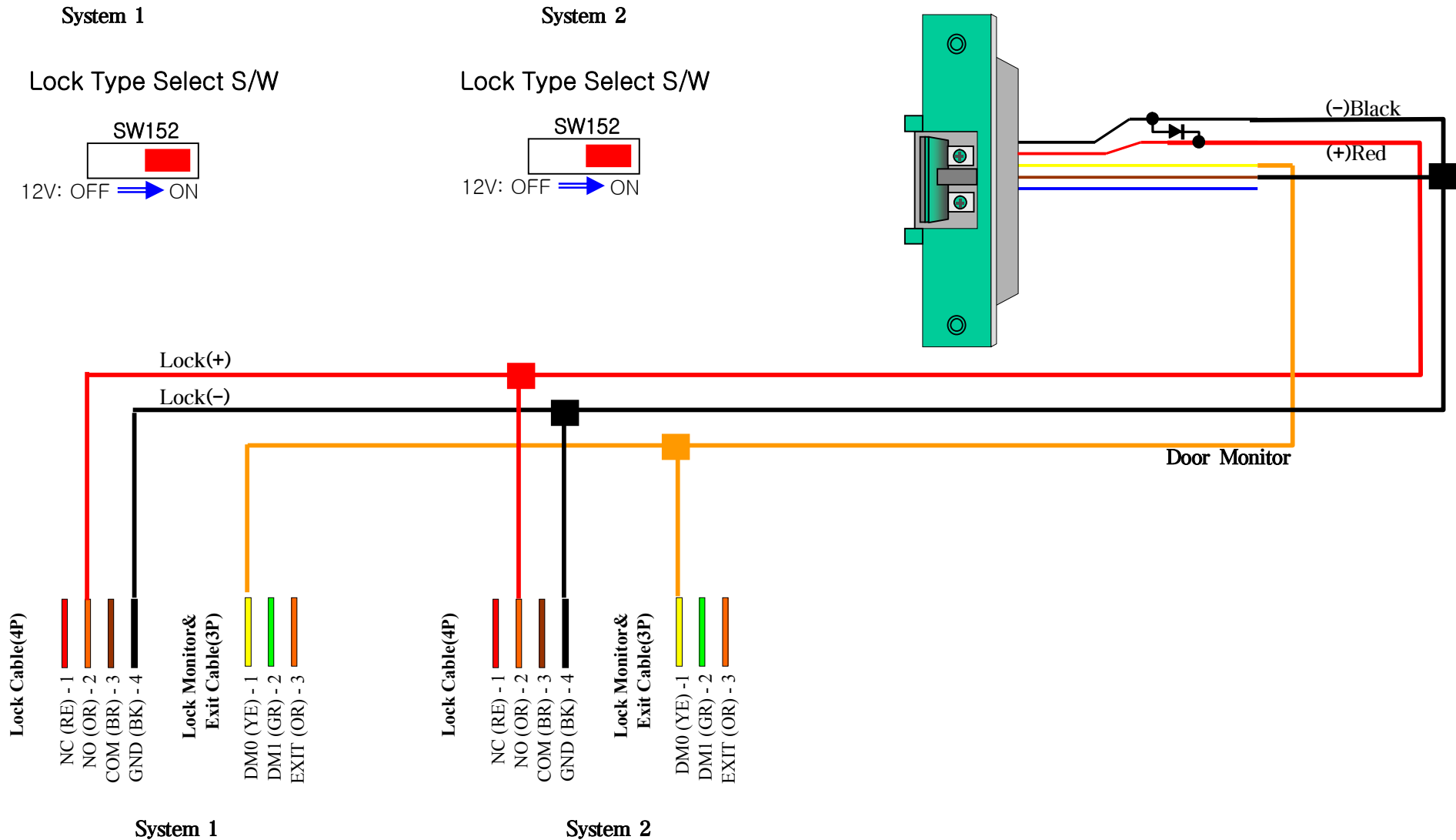


Inside Door Open S/W



# 6. Connecting Strike Type Door Lock (Fail Secure)

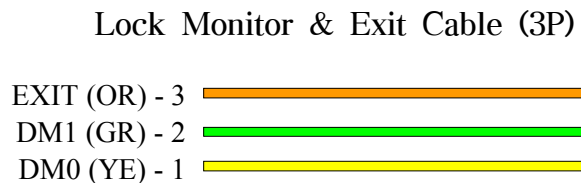
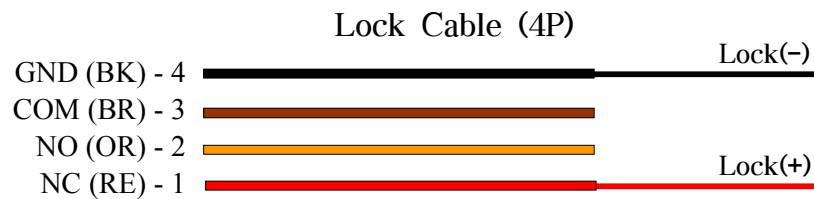
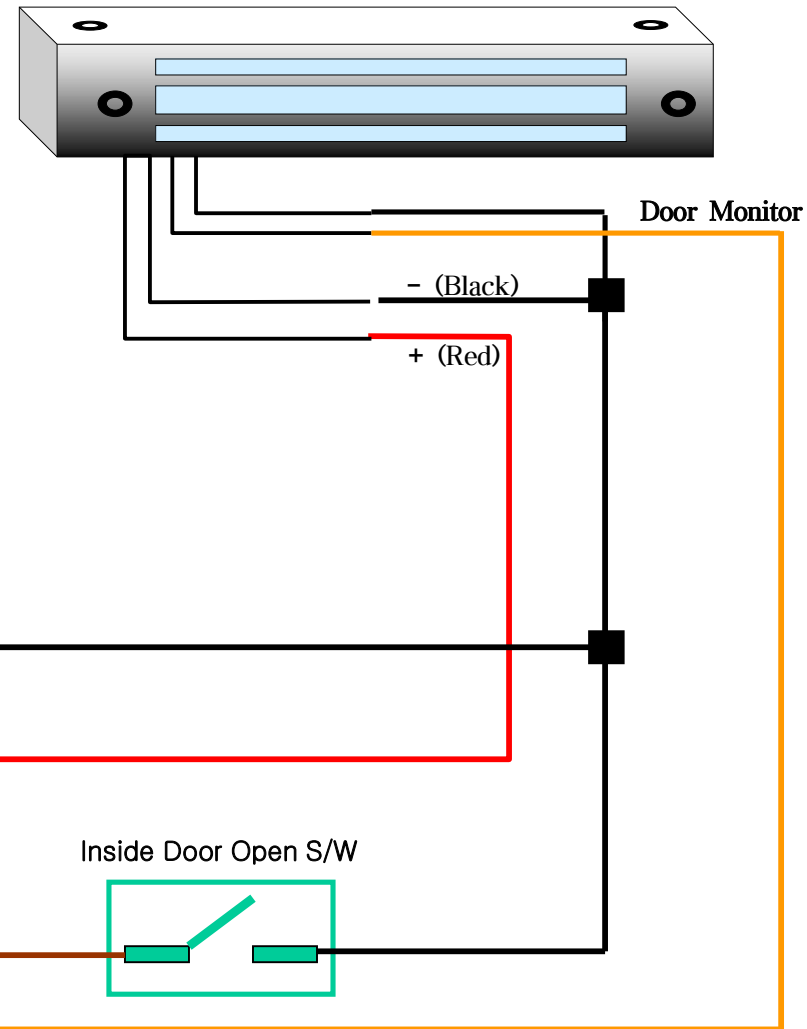
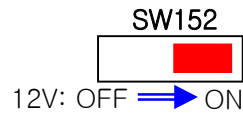
## 6.2. Connect with Two systems/ One Lock



# 7. Connecting EM Type Door Lock (Fail Safe)

## 7.1. Connect with One system/ One Lock

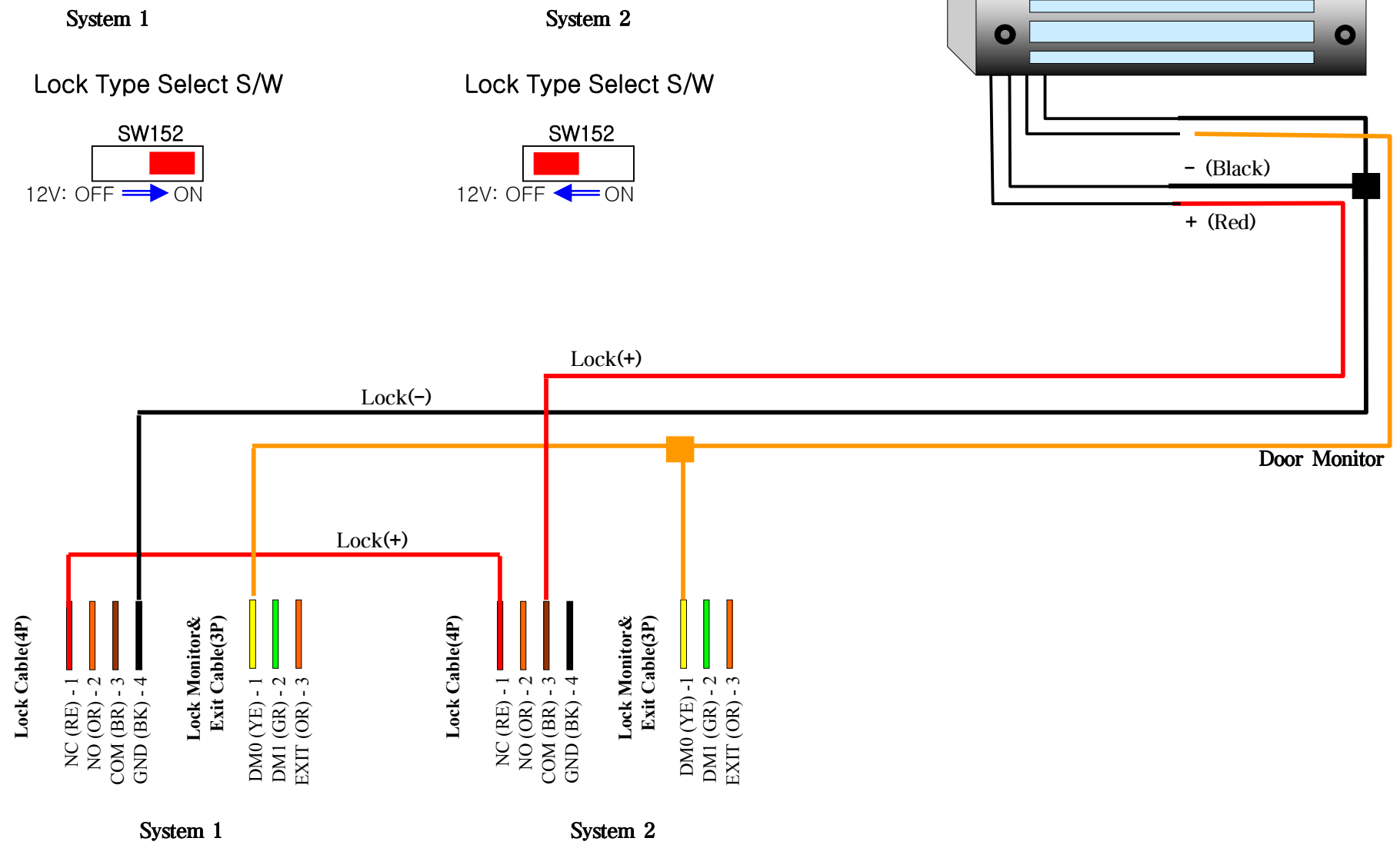
Lock Type Select S/W





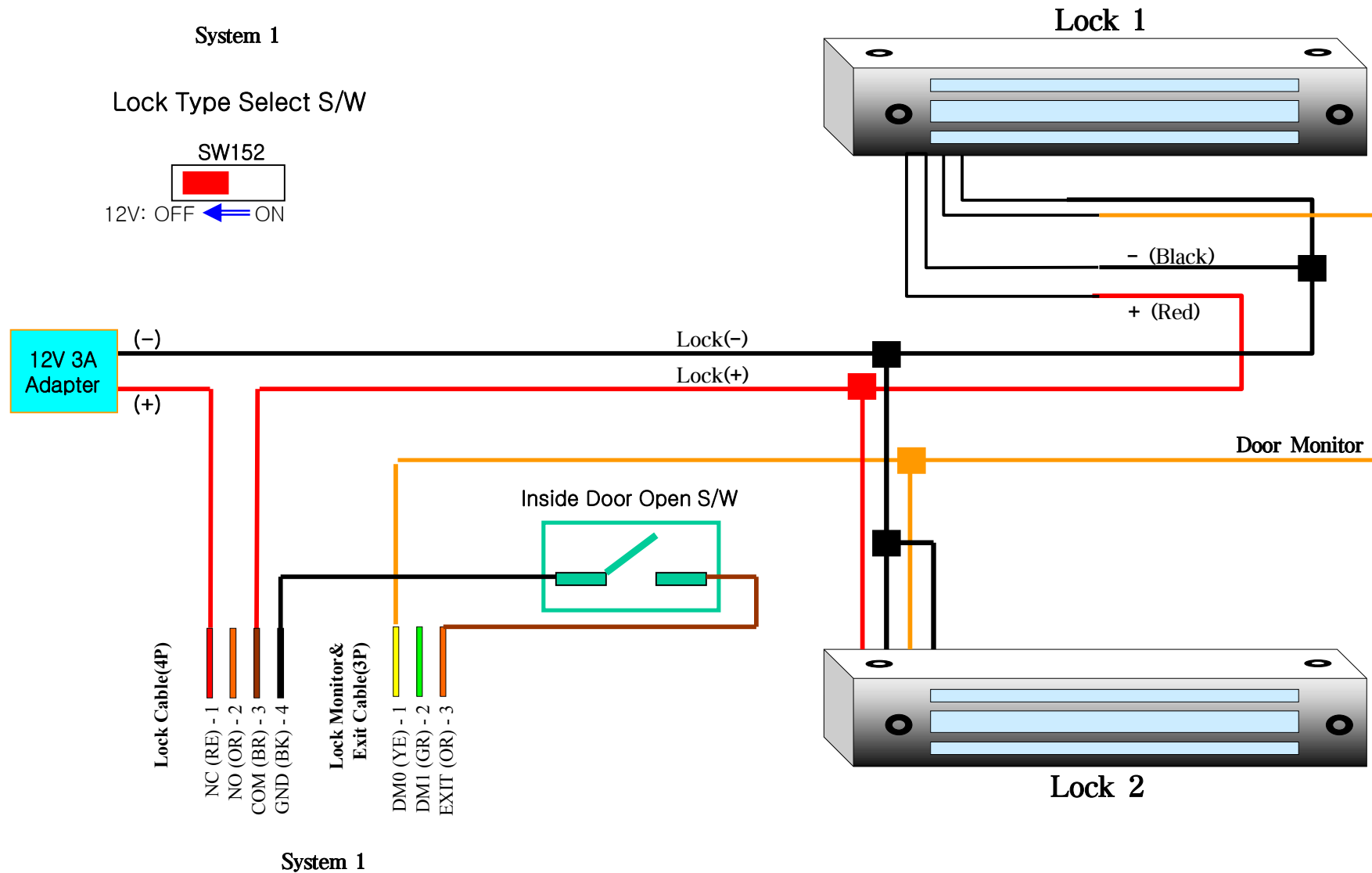
# 7. Connecting EM Type Door Lock(Fail Safe)

## 7.2. Connect with Two System/ One Lock



# 7. Connecting EM Type Door Lock (Fail Safe)

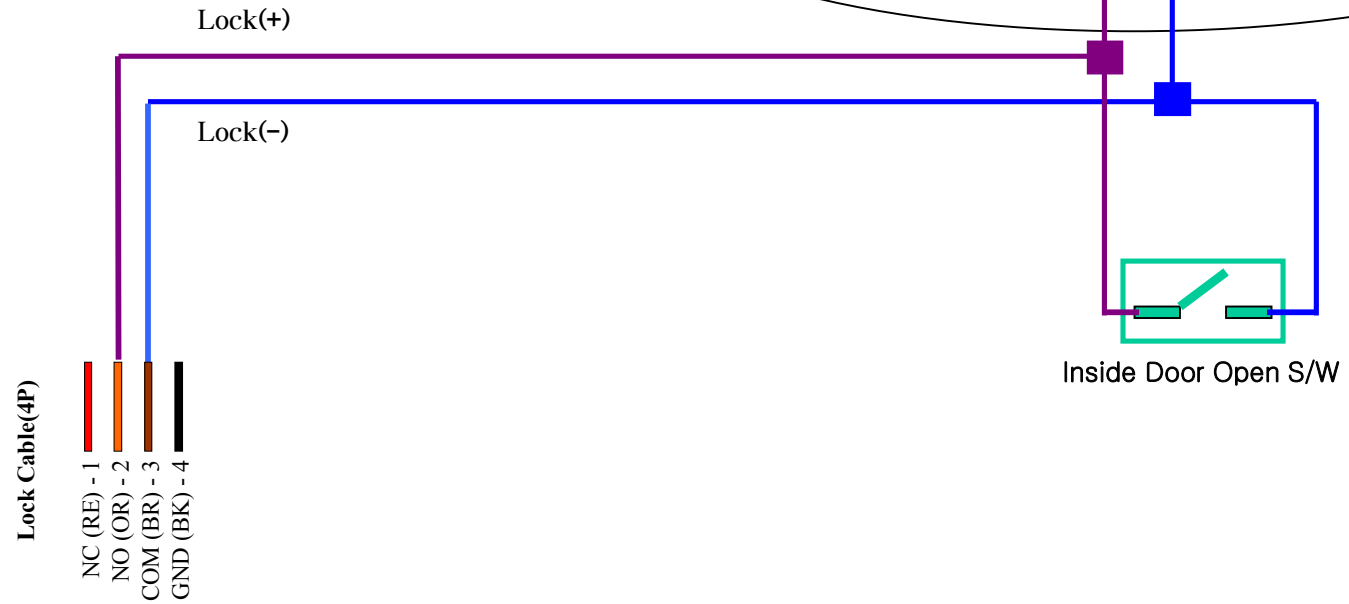
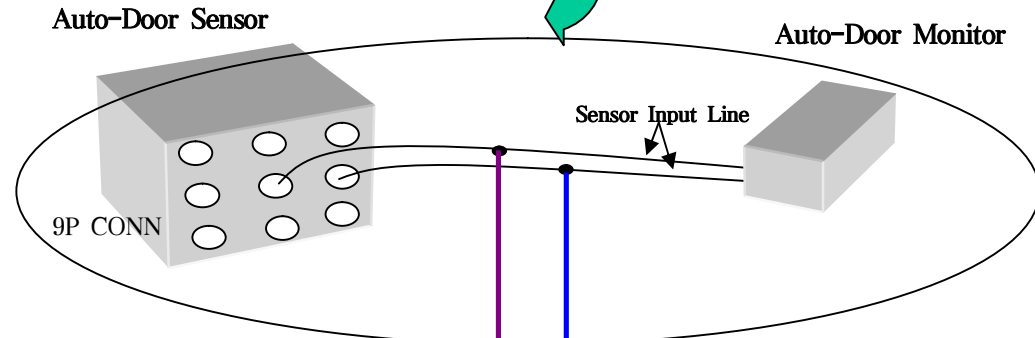
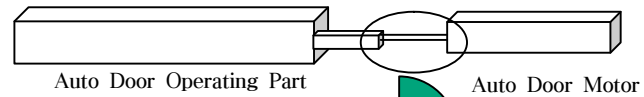
7.3. Connect with One system/ Two Locks \*\* Use external DC Power adapter



# 8. Connecting Auto-Door (Contact Control)

## 8.1. Connect with One system/ One Door

System 1  
 Lock Type Select S/W  
 SW152  
 12V: OFF ← ON



System 1

# 8. Connecting Auto-Door (Contact Control)

## 8.2. Connect with Two systems/ One Door

