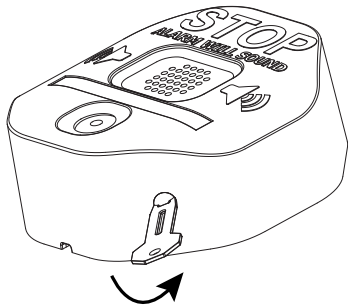


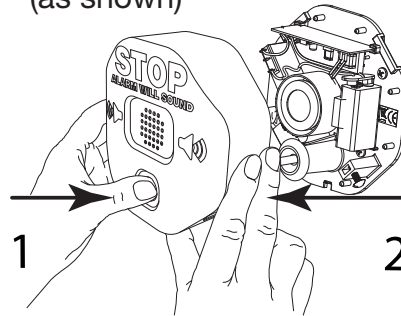
# Fire Extinguisher Theft Stopper®

Install  
STI-6200

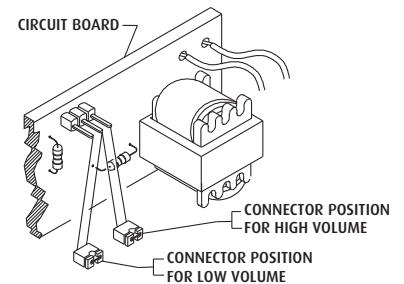
1. Remove security screw



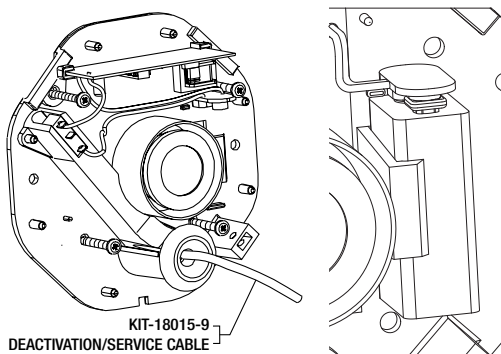
2. To remove cover from base, push with thumb to separate (as shown)



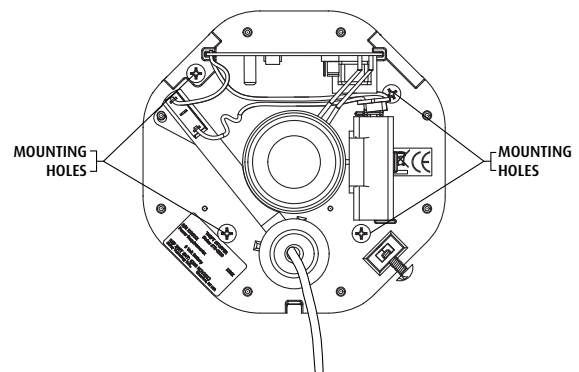
3. Select volume setting



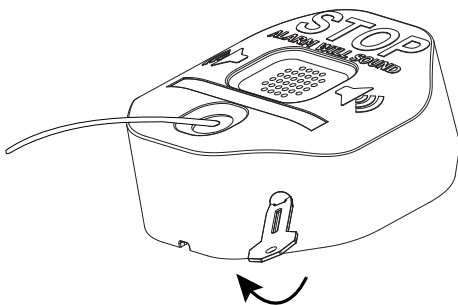
4. Fully insert 6" service cable until it stops. Unwrap battery and connect. If alarm sounds when connecting battery, push service cable further into base to silence.



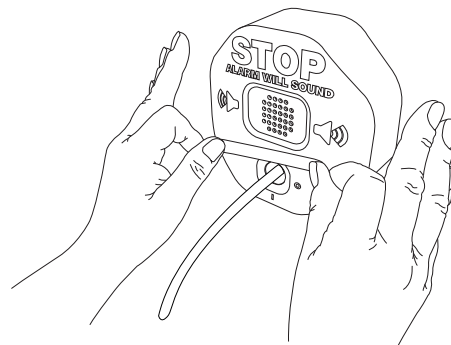
5. Position base. Mark and drill four (4) holes 1" (25mm) deep. Using plastic anchor, drill 3/16" (4.5mm). Install into wood or steel: drill 9/64" (3.5mm). Mount using (4) M4 x 25mm screws.



6. Replace cover, snap lid from top, secure with security screw



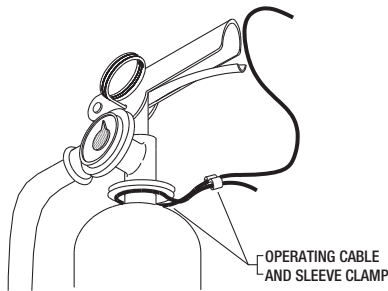
7. Apply language label if desired



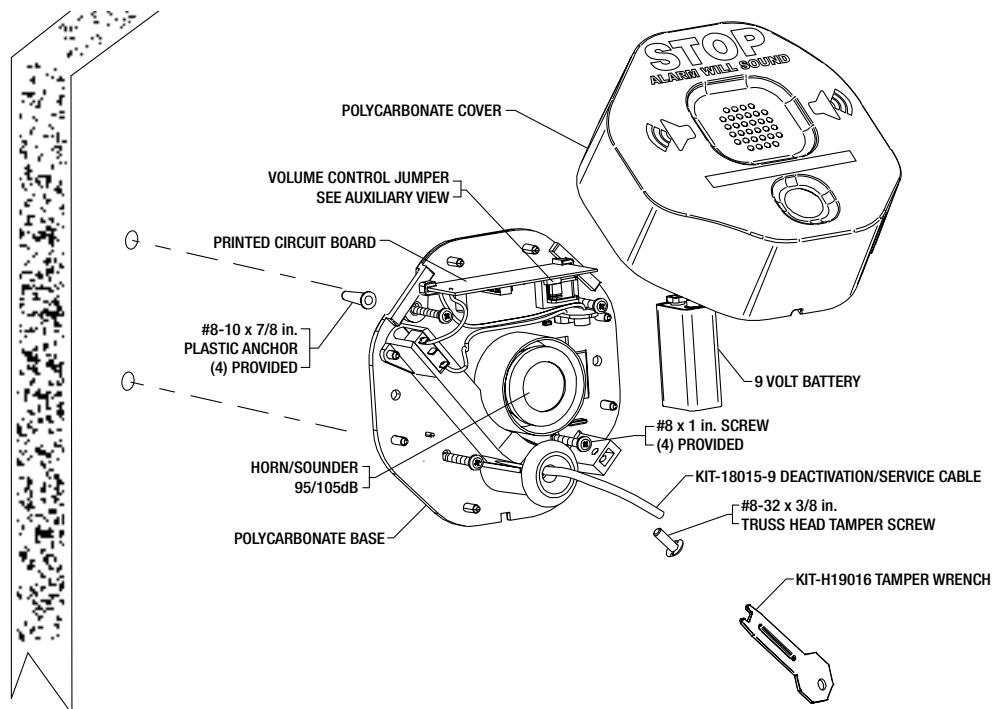
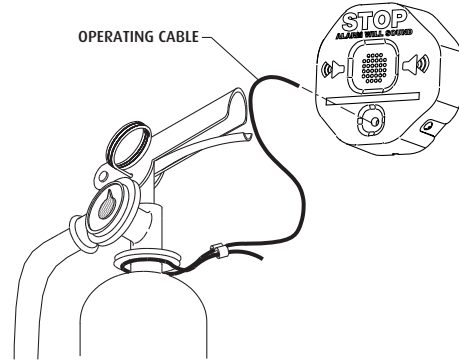
# Fire Extinguisher Theft Stopper®

Install  
STI-6200

8. Route operating cable around extinguisher neck and through cable sleeve clamp, crimp securely



9. Quickly remove service cable and thread operating cable into unit until cable bottoms out and alarm stops sounding. Retain service cable for future maintenance.



**Safety Technology  
International**

2306 Airport Rd • Waterford, MI 48327, USA  
Phone: 248-673-9898 • Fax: 248-673-1246  
info@sti-usa.com • www.sti-usa.com

Taylor House • 34 Sherwood Road  
Bromsgrove, Worcestershire • B60 3DR • England  
Tel: +44 (0)1527 520 999 • Fax: +44 (0)1527 501 999  
info@sti-emea.com • www.sti-emea.com